

FBX-M01HN

Ex-Proof IR Vari-Focal Camera



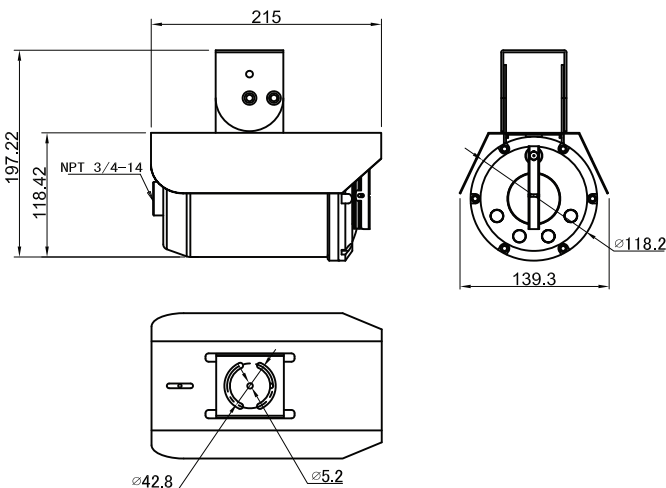
SONY
STARVIS

Feature

- Ultra Lightweight IR Ex-Proof Camera(3Kg)
- Starvis High Sensitivity Image Sensor
- Cable Entry: NPT 3/4"-14
- Built in Fan/Heater/Temp Sensor
- Built in High Power LED / Condenser Lenses
- Tempered Glass Window
- SUS 316/316L Stainless Steel
- Operating Temp: -40 ~ +60°C
- Ex Grade: II2GD, Ex db IIC T6 Gb, IP66/68
Ex tb IIIC T85°C Db
- Video: IP Network

Dimension

Unit:mm



VIDEO

Image sensor	1/1.9" 2 Megapixels Stavis CMOS
Pixels	2130K Pixels
Resolution	1080p@30fps, 1080i@60fps, 720p@60fps
Sync	Internal
Min illumination	0.15 lx 50IRE(IR On: 0 lx)
Recommended illumination	100 to 100,000 lx
S/N Rating	>50dB
Image Output	IP NETWORK
Motorized Zoom Ratio	Optical 3x(f = 3.3 to 10mm), Digital 12x
Angle of View(H)	109°(Wide End) to 42°(Tele End)
Housing Material	SUS316/316L Stainless Steel
Dim/Weight	215(L) X 118(Ø) 3Kg
Power	AC24V or DC27V 3A 50/60Hz Max 36W
Operating temp	-40~+60°C

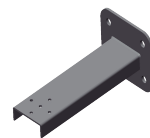
FUNCTION

Day/Night	Auto / Day / Night
BLC	On/Off
White Balance	AUTO, ATW, Indoor, Outdoor, Clear Sky, Manual
Noise Reduction	2D/3D
Gain Control	Auto/Manual(1.2~54dB) Default 1.2dB
Auto Focus	One Push, Manual
Measure Temp	On/Off
Digital Zoom	On/Off
HLC	On/Off
Defog	On/Off
WDR	ATR-EX
Motion Detection	On/Off
IR Lighting	Auto / Night
IR Distance	100M
Cam Control	IP Network

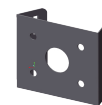
NETWORK(Optional)

Ethernet	RJ-45 For 10/100 Base-T
IP Protocol	IPv4/v6 HTTP, HTTPS, FTP, TCP, RTSP, RTP, DNS, DynDNS, NTP, QoS Layer 3, Diffserv, ICMP, IGMP, UPNPTM, SSL, TLS
Standard Protocol	Onvif(Profile S)
Video Format	H.264 / H.265 / MPEG
Audio	G.711

Accessories



Wall Bracket



Pole Mount



Cable Gland