

HPX-M30SN

Ex-Proof IR PTZ Camera



VIDEO

Image sensor	1/2.8" 2.38 Megapixels CMOS
Pixels	2140K Pixels
Resolution	1080p@60/30fps, 1080i@60fps, 720p@60fps
Sync	Internal
Min illumination	0.5 lx/30s(IR On: 0 lx)
Recommended illumination	100 to 100,000 lx
S/N Rating	>50dB
Image Output	HD-SDI, CVBS 75ohm
Zoom Ratio	Optical 30x(f = 4.3 to 129mm), Digital 32x
Min Distance	10mm(Wide End)
Angle of View(H)	58.9°(Wide End) to 2.11°(Tele End)
Rotate Performance	Pan: 0°~360° Endless Rotation(0.1° ~80°/s) Tilt: -90°~+90° Rotation(0.1° ~ 60°/s)
Preset Accuracy	±0.2°
Housing Material	SUS316/316L Stainless Steel
Dim/Weight	297(W) X 317(H) 15Kg
Power	AC24V or DC27V 6A 50/60Hz Max 72W
Operating temp	-40~+60°C

FUNCTION

Day/Night	Auto / Day / Night
BLC	On/Off
White Balance	AUTO, Indoor, Outdoor, One push, Manual
Noise Reduction	On/Off(Low/Mid/High)
Remove Flicker	On/Off
Contrast improvement	On/Off
Image Stabilizer	On/Off
Digital Zoom	On/Off
HLC	On/Off (Night only)
Defog	On/Off
WDR	On/Off(Low/Mid/High)
Motion Detection	On/Off
Privacy Mask	On/Off
LIVE PIP	On/Off
Motion Alarm	4 Alarms
IR Lighting	Auto / Night
IR Distance	100M
PTZ Control	RS-485/RS-422/IP Network(255 Preset, 8Tours, 8 Swings, 16 Areas, 3 Alarms, 8 Groups)
Audio	Input/Output

NETWORK(Optional)

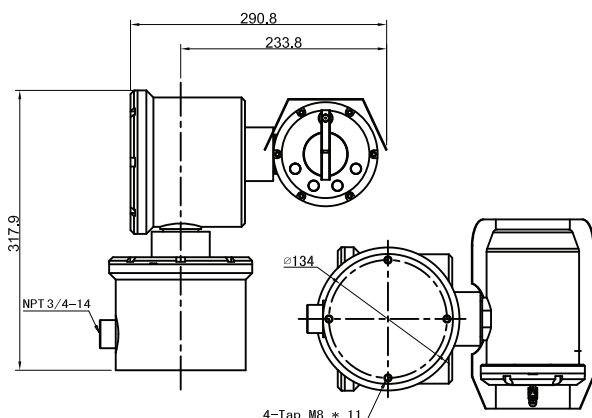
Ethernet	RJ-45 For 10/100 Base-T
IP Protocol	IPv4/v6 HTTP, HTTPS, FTP, TCP, RTSP, RTCP, RTP, DNS, DynDNS, NTP, QoS Layer 3, Diffserv, ICMP, IGMP, UPNPTM, SSL, TLS
Standard Protocol	Onvif(Profile S)
Video Format	H.264 / H.265 / MPEG
Audio	G.711

Feature

- Ultra Lightweight IR PTZ Camera(15kg)
- Optical 30x / Digital 32x
- Cable Entry: NPT 3/4"-14
- Built in Fan/Heater/Temp Sensor
- Built in High Power LED / Condenser Lenses
- Tempered Glass / Wiper
- Interlock Function with Washer Pump
- Auto Coordinate Compensation
- SUS 316/316L Stainless Steel
- Operating Temp: -40 ~ +60°C
- Ex Grade: II2GD, Ex db IIC T6 Gb, IP66/68
Ex tb IIIC T85°C Db
- Video: HD-SDI/CVBS(SD)/IP Network

Dimension

Unit:mm



Accessories



Wall Bracket



Pole Bracket



Cable Gland